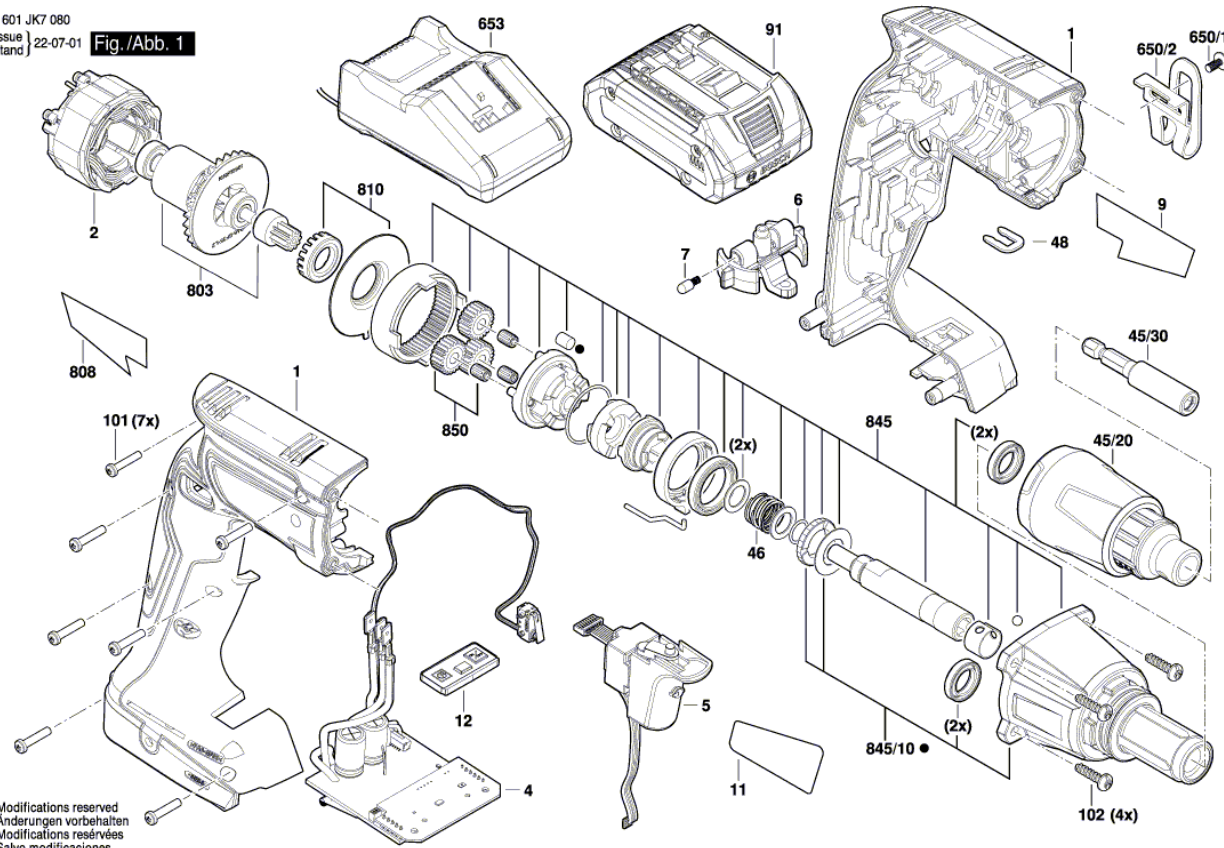


Illustration - Type - E

3 601 JK7 080
Issue |
Stand | 22-07-01

Fig./Abb. 1



Modifications reserved
Änderungen vorbehalten
Modifications réservées
Salvo modificaciones

Spare parts list

Item	Part Number	Description
1	1 600 A02 4AZ	Housing
2	1 619 P16 440	Stator
4	1 607 233 5N0	Speed governor
5	2 607 202 902	Switch
6	1 600 A01 D6X	Lever Switch
7	2 600 590 006	Ratchet Cap
9	1 601 11C 4D9	Manufacturer's nameplate
11	1 601 11C 41N	Sticker
12	1 600 A02 61R	Separator
45/20	1 600 A01 A4D	Depth-Gauge
45/30	1 618 597 13F	Toolholder
46	1 609 280 477	Compression Spring
48	2 609 110 838	Clip
91	1 607 A35 0MN	Battery Pack GBA 18V 2.0Ah
101	2 609 110 201	Torx Flat-Head Screw 3x16
102	2 603 490 022	Screw 4x16
650/1	2 609 111 584	Clip
650/2	2 609 110 834	Screw
653	2 607 226 281	Fast Charger EU GAL 18V-20 220V-240V 12V-18V 2A
803	1 607 000 E6G	Rotor
808	1 601 11A 8M3	Nameplate
810	1 607 000 E6H	Friction Washer
845	1 607 000 E6J	Gear Unit
845/10	1 607 000 E6K	Gear Housing
850	1 607 000 E9S	Planet Gear